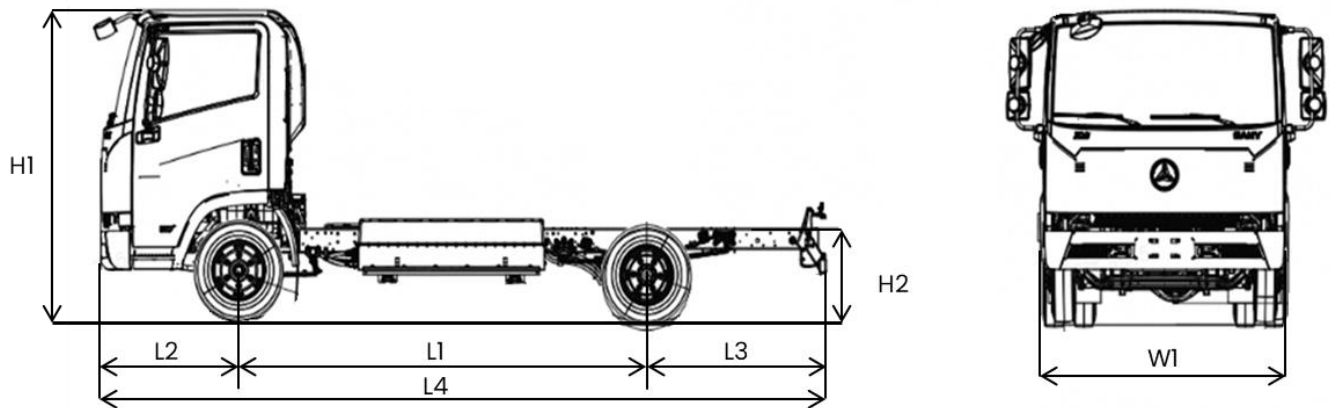


SANY

FR-601

15-ft Chassis Specifications





Vehicle Dimensions (mm)

L1	Wheelbase	3,360
L2	Front Overhang	1,670
L3	Rear Overhang	1,570
L5	Overall Length	5,995
H1	Cabin Height	2360
H2	Chassis Height	719
W1	Overall Width	2,185

Turning Circle (mm)

Kerb to Kerb (diameter)	12,000
-------------------------	--------

Weights (kgs)

1 st axle load	1,240
2 nd axle load	1,100
Total	2,340
Gross Vehicle Weight	5,000

Performance

Power (Nominal/Peak)	60/115kW, 80/154hp
Torque (Nominal/Peak)	135/350Nm
Motor Controller	3 in 1
Top Speed	90kph (60kph w/ limiter)

Battery

Rated Capacity	84.48kWh / 563V
Manufacturer	Gotion
Battery Chemistry	Lithium Iron Phosphate (LFP)
Estimated Range (Tested in Singapore)	300km (Unladen) / 290km (Full Load)

Axles

Front Axle Rating (kgs)	2,385
Rear Axle Rating (kgs)	3,615
Drive Axle Type	Electric Drive Axle

Suspension

Front	Parabolic Spring
Rear	Parabolic Spring

Brakes

Front Brake	Drum
Rear Brake	Drum
Parking Brake	Electronic
Anti-lock Brake System (ABS)	Yes

Tyres & Rims

Front	2 x 7.00R16
Rear	4 x 7.00R16

Steering

Steering Column	Recirculating Ball
Steering Adjustment	Mechanical

Warranties

Battery Warranty	5 Years (8 Years Optional)
Motor & Controller Warranty	3 Years
Others	1 Year

Optional Cargo Body Styles

Tailgate	Full Cage
Full Canopy	Enclosed Box
Half Canopy	Platform





EcoSwift Pte Ltd

www.ecoswift.com.sg